

# Go for convenience.



swissmade 

## The variable single dose injector.

- Sequence of handling steps assure simple and correct dosing
- Simple priming step ensures dose accuracy
- Simply dial to adjust the dose
- Suitable for use with prefilled syringes or cartridges
- Needle safety built-in or ensured with Clickfine® AutoProtect™ safety pen needle



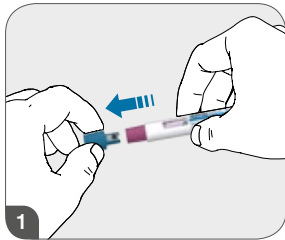
More confidence. More success. With Ypsomed Delivery Systems.



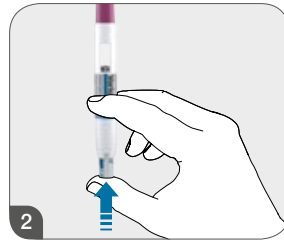
## VarioJect™ – the variable single dose injector

Prime, dial and dose – as simple as that

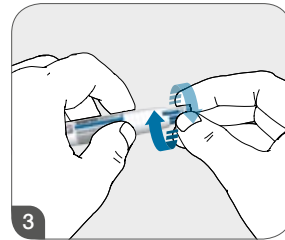
The VarioJect™ is a simple single use variable dose injector for prefilled syringes or cartridges. It guides the patient through priming, followed by dialing the dose and injecting the set dose volume. After use the device is locked and no further dosing is possible.



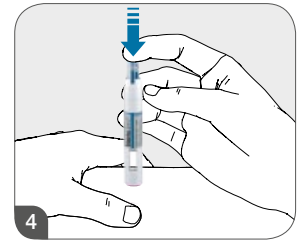
1 Remove cap



2 Prime



3 Dial dose



4 Inject



## Easy variable dosing

For a single dose that needs to be varied or titrated

### Handling and safety

- The handling steps are pre-determined by design assuring simplicity of use and better compliance
- Dose delivery confirmation with clear graphical indicator
- After injection the dose button locks in place to prevent any misuse of the remaining drug volume
- Use the cartridge version of VarioJect™ to avoid needle/drug contact during storage or to allow use of various pen needle lengths
- Needle safety available with integrated device needle shield or for cartridge version of VarioJect™ with Clickfine® AutoProtect™ safety pen needle

### Customisation and manufacturing

- The dosing mechanism can be combined with standard 1 ml prefilled syringes or 1.5 ml cartridges
- Configuration capabilities for different fill volumes allow the use of the platform for multiple projects
- Simple final assembly process assures low cost of goods
- Off-the-shelf product assures short timeline and low project risks thanks to Ypsomed's long experience as an ODM manufacturer



After priming step



After injection of dose



The VarioJect™ in a configuration with a standard 1.5 ml cartridge and safety pen needle



## Design and customisation

Your drug deserves a unique presentation

The design of the VarioJect™ device platform can be customised for individual dosing requirements as well as for different standard and custom primary containers. For marketing and usability purposes the shape and colour may be varied to provide distinct differentiation of your drug.



## Dimensions and specifications

Facts and figures

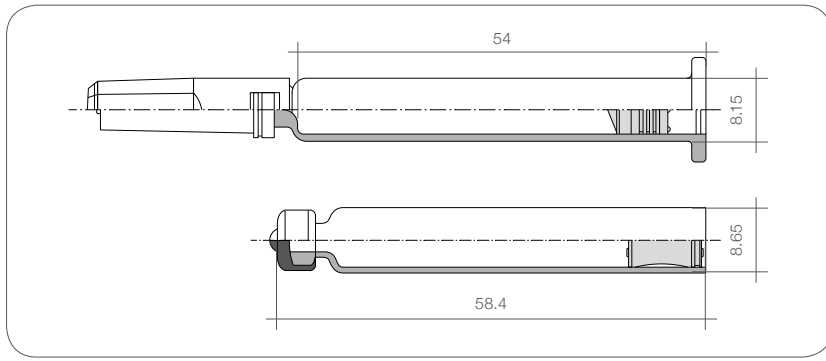


### Device platform specifications

Primary container 1	1 ml long ½" PFS
Primary container 2	1.5 ml cartridge
Needle size	27 – 31 G TW

Platform dose range	0.10 – 0.50 ml (ask for other configurations)
Smallest dose increment	0.01 ml
Number of variable dose steps	1 – 15
Number of doses	Priming plus 1 dose

### Syringe and cartridge dimensions (mm)



Compatible with 1 ml long syringes and 1.5 ml cartridges. Customisation for other standard and custom drug containers from 0.5 to 3.0 ml is possible.



## Your delivery system

Drawing on our experience and competence

- Ypsomed has extensive experience in injection device development and manufacturing of more than 30 years and has numerous devices on the market.
- You can expect high quality support for selection of the primary container, customisation of the industrial design, demonstrating dose accuracy, completing the risk analysis file for your drug application and preparing the relevant CTD sections for the registration of the combination product.

More **confidence.**  
More **success.**  
With **Ypsomed Delivery Systems.**



Pen systems



Autoinjector systems



Patch injector systems



Smart services

Ypsomed Delivery Systems provides a complete range of drug delivery products and services to biopharmaceutical companies. We offer everything from development and design to manufacturing and packaging, giving patients and customers more confidence and leading to more market success.